

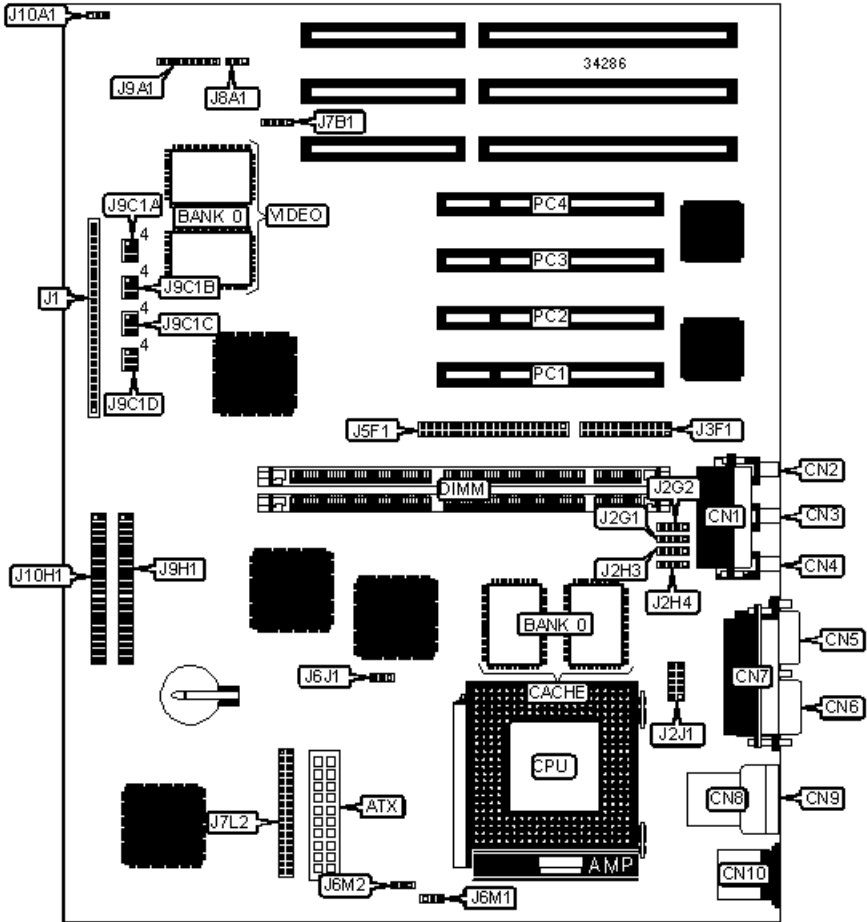
INTEL CORPORATION

AN430TX

Processor	Pentium
Processor Speed	90/100/120/133/150/166/200/233MHz
Chip Set	Intel
Video Chip Set	ATI
Maximum Onboard Memory	256MB (EDO supported)
Maximum Video Memory	2MB
Cache	256/512KB
BIOS	Unidentified
Dimensions	305mm x 244mm

I/O Options 32-bit PCI slots (4), floppy drive interface, green PC connector, IDE interfaces (2), parallel port, PS/2 mouse port, serial ports (2), VGA port, IR connector, USB connectors (2), ATX power connector, microphone in, line in, line out, game/MIDI port, telephony connector, wake on LAN connector, VESA/ATI Multimedia connector, CD-ROM audio in, ATAPI audio in, line audio in, video riser connector, video capture connector

NPU Options None



CONNECTIONS			
Purpose	Location	Purpose	Location

ATX power connector	ATX	Speaker	J1/pins 24 - 27
Game/MIDI port	CN1	ATAPI audio in	J2G1
Microphone in	CN2	CD-ROM audio in	J2G2
Line in	CN3	Line in audio	J2H3
Line out	CN4	Telephony connector	J2H4
VGA port	CN5	Serial port 2	J2J1
Serial port 1	CN6	Video riser connector	J3F1
Parallel port	CN7	VESA/ATI Multimedia connector	J5F1
USB connector 1	CN8	Wake on LAN connector	J6J1
USB connector 2	CN9	CPU fan power	J6M2
PS/2 mouse port	CN10	Video capture connector	J7B1
Soft on power supply	J1/pins 1 & 2	Floppy drive interface	J7L2
Green PC connector	J1/pins 3 & 4	GPI connector	J9A1
IR connector	J1/pins 6 - 11	IDE interface 2	J9H1
IDE interface LED	J1/pins 13 - 16	Chassis fan power	J10A1
Green PC LED	J1/pins 18 - 20	IDE interface 1	J10H1
Reset switch	J1/pins 22 & 23	32-bit PCI slots	PC1 – PC4

USER CONFIGURABLE SETTINGS

Function		Label	Position
»	Flash BIOS normal operation	J8A1	Pins 1 & 2 closed
	Flash BIOS recovery mode	J8A1	Pins 2 & 3 closed
»	Password enabled	J9C1A	Pins 1 & 2 closed
	Password disabled	J9C1A	Pins 2 & 3 closed
»	CMOS memory normal operation	J9C1A	Pins 4 & 5 closed

	CMOS memory clear	J9C1A	Pins 5 & 6 closed
»	Flash BIOS write protect disabled	J9C1B	Pins 1 & 2 closed
	Flash BIOS write protect enabled	J9C1B	Pins 2 & 3 closed
»	Factory configured - do not alter	J9C1B	Pins 4 - 6 open

DIMM CONFIGURATION		
Size	Bank 0	Bank 1
8MB	(1) 1M x 64	None
16MB	(1) 2M x 64	None
16MB	(1) 1M x 64	(1) 1M x 64
24MB	(1) 2M x 64	(1) 1M x 64
32MB	(1) 4M x 64	None
32MB	(1) 2M x 64	(1) 2M x 64
40MB	(1) 4M x 64	(1) 1M x 64
48MB	(1) 4M x 64	(1) 2M x 64
64MB	(1) 8M x 64	None
64MB	(1) 4M x 64	(1) 4M x 64
72MB	(1) 8M x 64	(1) 1M x 64
80MB	(1) 8M x 64	(1) 2M x 64
96MB	(1) 8M x 64	(1) 4M x 64
128MB	(1) 16M x 64	None
128MB	(1) 8M x 64	(1) 8M x 64
136MB	(1) 16M x 64	(1) 1M x 64
144MB	(1) 16M x 64	(1) 2M x 64
160MB	(1) 16M x 64	(1) 4M x 64

192MB	(1) 16M x 64	(1) 8M x 64
256MB	(1) 16M x 64	(1) 16M x 64
Note: Board accepts EDO memory.		

CACHE CONFIGURATION	
Size	Bank 0
256KB	(2) 32K x 32
512KB	(2) 64K x 32
Note: Board will be factory installed with one of the above configurations.	

VIDEO MEMORY CONFIGURATION
Note: Bank 0 is factory installed with 2MB of video memory and is not configurable.

CPU SPEED SELECTION				
CPU speed	Clock speed	Multiplier	J9C1C	J9C1D
90MHz	60MHz	1.5x	4 & 5	1 & 2, 4 & 5
100MHz	66MHz	1.5x	5 & 6	1 & 2, 4 & 5
120MHz	60MHz	2x	4 & 5	2 & 3, 4 & 5
133MHz	66MHz	2x	5 & 6	2 & 3, 4 & 5
150MHz	60MHz	2.5x	4 & 5	2 & 3, 5 & 6
166MHz	66MHz	2.5x	5 & 6	2 & 3, 5 & 6
200MHz	66MHz	3x	5 & 6	1 & 2, 5 & 6
233MHz	66MHz	1.5x	5 & 6	1 & 2, 4 & 5
Note: Pins designated should be in the closed position.				

CPU TYPE SELECTION	
Type	J6M1

»	VRE	Pins 2 & 3 closed
	STD	Pins 1 & 2 closed