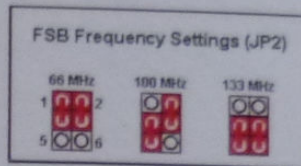
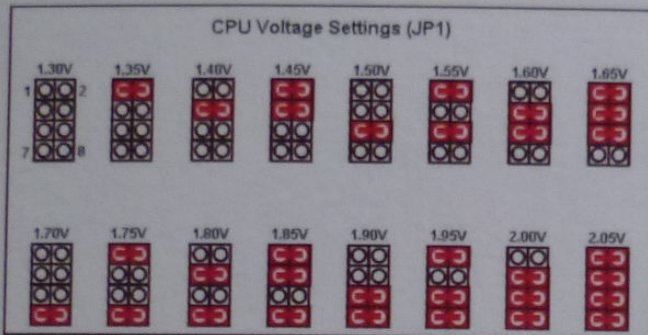


安裝0.13製程 Tualatin CPU時，請使用符合 Socket 370 Tualatin CPU規格的散熱風扇；請勿使用Socket 462(K7)的散熱風扇，那可能會造成卡樁斷裂。

Installation Guide

Socket
370

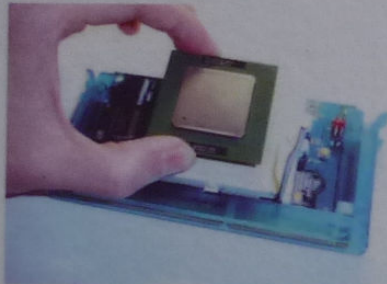
Slot 1



Step 1

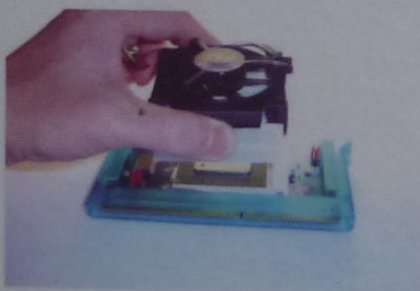
Check the voltage / FSB frequency settings for your socket 370 processor using the jumpers on the card.

* If your new processor require 1.475V, we suggest you to use 1.5V setting.



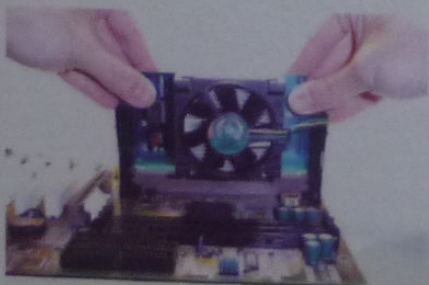
Step 2

Open the socket lever.
Insert the processor into the socket.
Close the socket lever.



Step 3

Attach the heatsink w/ fan into the processor.



Step 4

Mount the SLOT-T CPU Converter Board over Slot 1 on the motherboard.

Connect the processor's fan power connector on the motherboard.